

KIDON™

UNIVERSAL PISTOL CONVERSION KIT

OWNER'S MANUAL



IMI DEFENSE

WWW.IMIDEFENSE.COM



UNIVERSAL PISTOL CONVERSION KIT

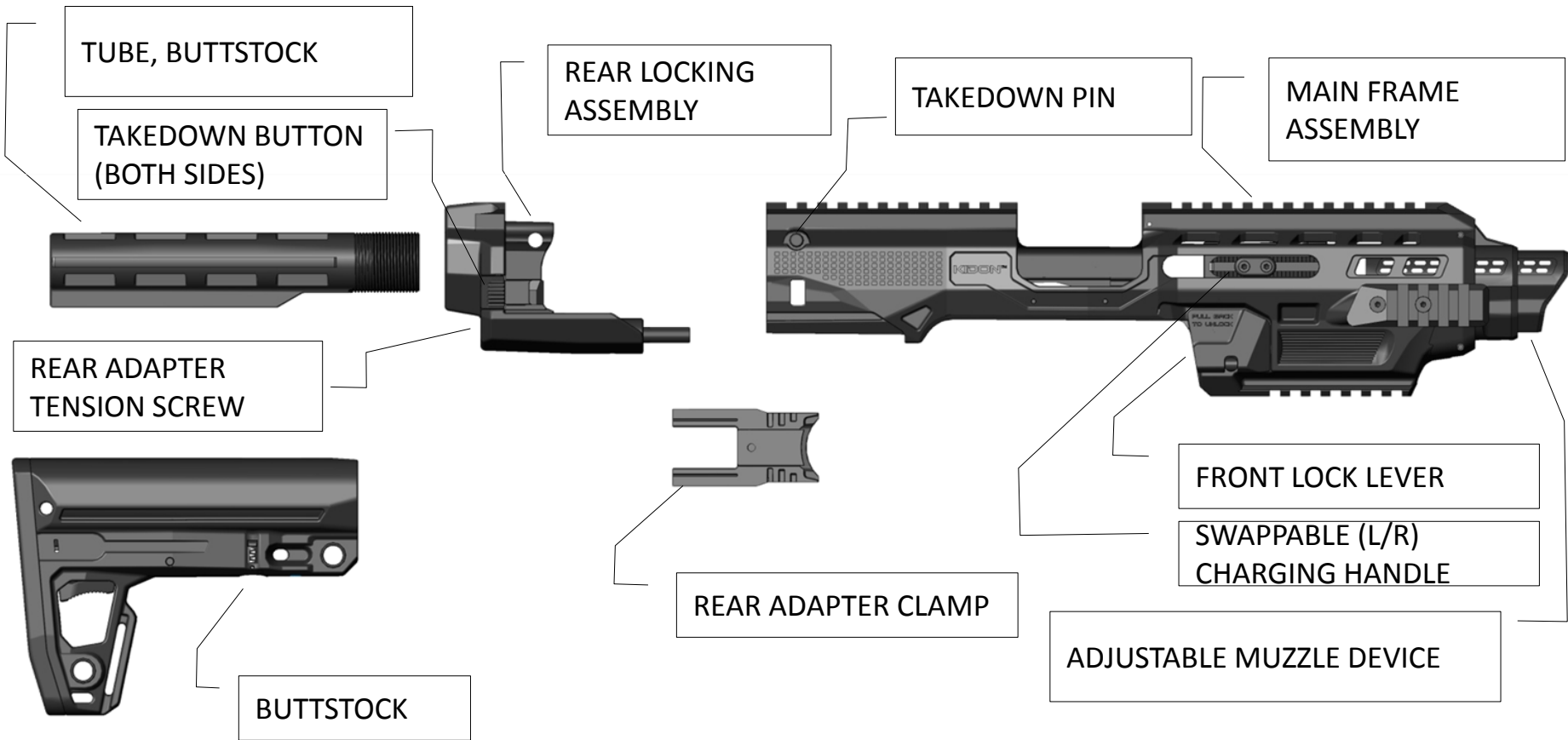
The IMI-Defense Kidon™ is a polymer universal pistol conversion kit.

Designed to quickly and easily transform virtually any full-size railed pistol into an M1913 accessory customizable carbine platform.

Equipped with multiple adapters and adjustment elements along with metal insert reinforcements and heat shields - The Kidon™ provides a state of the art multi task mission adaptable platform multiplying operator's versatility.

CONTENTS

- Kidon™ Universal Pistol Conversion Kit
- IMI Defense AR15/M16 Mil-Spec 6 position TS-2 Buttstock
- IMI Defense Polymer Flip Up sights - Rear and Front
- IMI Defense FSG-1 Front Support Grip
- Owner's manual



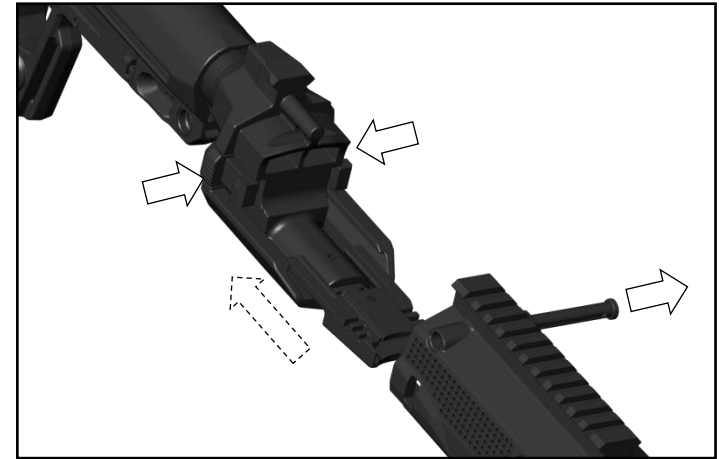
FEATURES

- 12 & 6 o'clock M1913 Accessory rails
- Removable 5 & 9 o'clock M1913 Accessory rails
- Ambidextrous (Left/Right) swappable charging handle
- Removable Buttstock tube

ASSEMBLY

WARNING: Be sure your pistol is unloaded, with magazine removed, before proceeding.

Remove the Rear Locking Assembly by pressing out the Rear Takedown pin and depressing both Takedown buttons while sliding the Rear Locking Assembly off the back.



Release front locking lever .

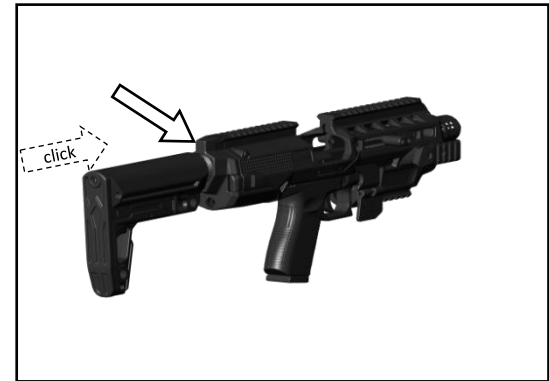


Slide pistol into rail adapter, verify that both sides fit into the receiving profile in the Kidon™.

Slide pistol as forward as possible.



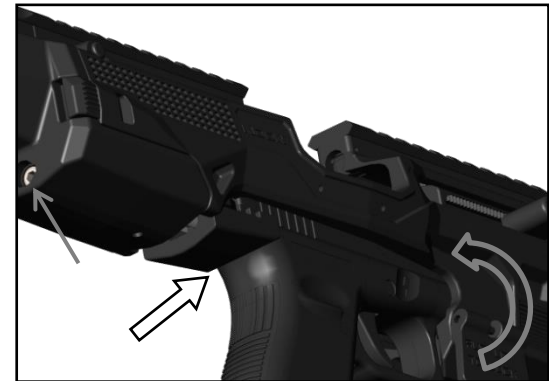
Slide and Click Rear Locking Assembly into place and push Takedown pin back into the body.



Make sure the Rear Adapter Clamp seats fully onto the protrusion on the top of the back-strap of the pistol.

Flip front locking lever to tight.

Adjust rear adapter depth & tension by the rear adapter tension screw, use a matching Allen wrench, do not over-tighten.



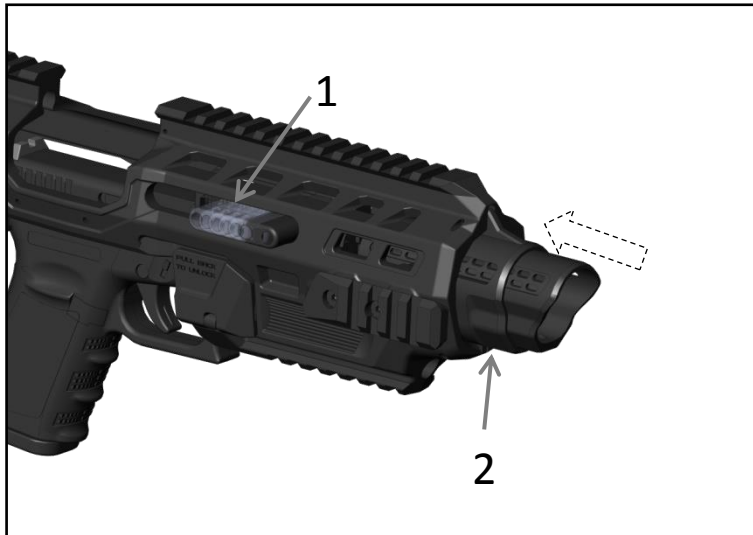
ADJUSTMENT

The Kidon™ is equipped with multiple adjustment options,

1. Adjust charging handle position by releasing the two screws to locate the internal charging actuator at a slight distance from the front of the pistol at it's locked position. Tighten the screws back when finished.

Charging handle can be assembled on the right or left hand sides of the Kidon™.

2. Now, Adjust the Muzzle device by releasing the two screws on its bottom, Place Muzzle device as close as possible to the charging actuator face to protect from firing inflicted gases and heat.
3. Attach/Detach side rails according to preference, use a matching Allen wrench.



LOADING AND FIRING

Treat the Kidon™ as any other firearm – keep the Kidon™ pointed in a safe direction then insert a loaded magazine.

Pull rearward on the Kidon™ charging handle and release. The pistol is ready to fire.



DISASSEMBLY

WARNING: Remove the magazine from your pistol and make sure the pistol is unloaded by performing a physical and visual inspection before proceeding.

Remove the Rear Locking Assembly by pressing out the Rear Takedown pin and depressing both Takedown buttons while sliding the Rear Locking Assembly off the back.

Release front locking lever .

Slide pistol to the back and remove from internal rail adapter.

STATEMENT OF LIABILITY

This device is classified as a FIREARMS ACCESSORY and is sold by us with the specific understanding that we are not responsible in any manner whatsoever for its safe handling or resale under local laws and regulations. IMI Defense Ltd. shall not be responsible in any manner whatsoever for malfunctioning of the firearm, for physical injury or for property damage resulting in whole or in part from (1) criminal or negligent discharge, (2) improper or careless handling, (3) unauthorized modifications, (4) defective, improper, handloaded, or reloaded ammunition, (5) corrosion, (6) neglect, or (7) other influences beyond our direct and immediate control. This limitation applies regardless of whether liability is asserted on the basis of contract, negligence or strict liability (including any failure to warn).

Under no circumstances shall IMI Defense Ltd. be liable for incidental or consequential damages, such as loss of use of property, commercial loss and loss of earnings or profits.

WARRANTY

IMI Defense warrants that the enclosed accessory was originally manufactured free of defects in material, workmanship and mechanical function, and agrees to correct these defects by repair, adjustment or replacement, at the option of IMI Defense, with items of the same or comparable quality; provided, however, that the accessory is returned freight prepaid to a certified IMI Defense dealer by the original purchaser within one year of the date of purchase.

This limited warranty is null and void if the accessory has been misused, damaged (by accident or otherwise), or if unauthorized repair or any alteration, including of a cosmetic nature, has been performed on the accessory. This limited warranty does not apply to normal wear and tear of any parts.

Subject to the foregoing, this limited warranty confers the right to have the covered accessory or its parts repaired, adjusted or replaced exclusively by the original purchaser, which right is not transferable to any other person. **NO IMPLIED WARRANTIES OF ANY KIND, INCLUDING THE WARRANTIES OF MERCHANTABILITY AND FITNESS FOR A PARTICULAR PURPOSE ARE MADE HEREIN**, and this warranty does not apply to any accessory items attached or appurtenant to this accessory. In no event shall IMI Defense be liable for incidental or consequential damages arising from or in connection with this limited warranty.

IMI DEFENSE

WWW.IMIDEFENSE.COM